



# PARTS MANUAL

---

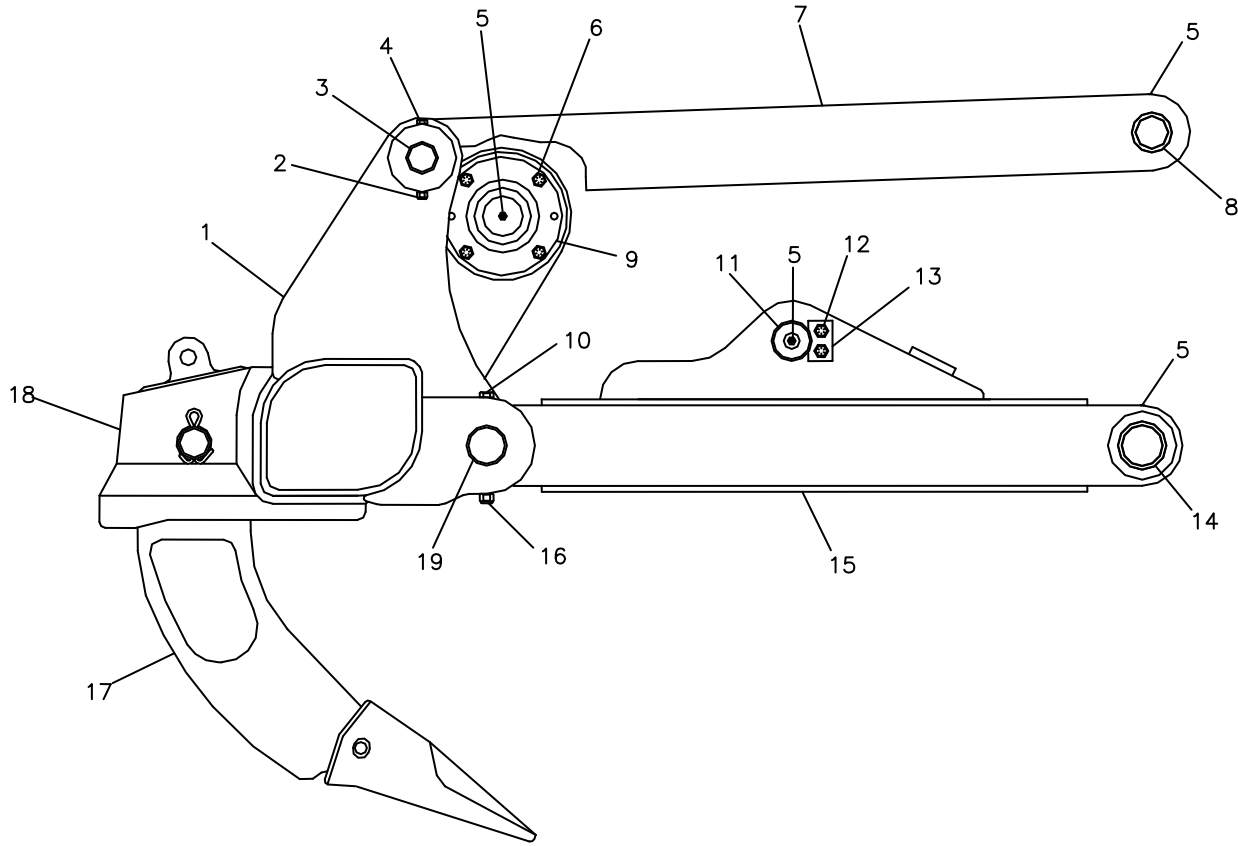
**74D RIPPER**

---

**74D970001 – UP**

NOV. 2009

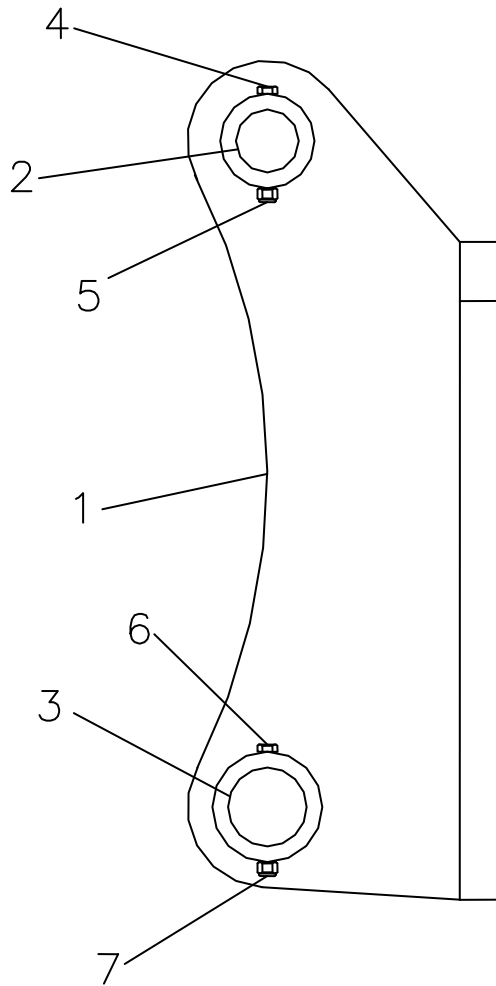
# 74D SERIES RIPPER



REF	QTY	PART #	DESC
1	1	P74D002	TOOL BAR
2	2	1137185	3/8" LOCKNUT
3	2	9J9598D	PIN
4	2	0115123	3/8" X 4-3/4" OR 5" BOLT
5	11	60102	GREASE FITTING
6A	8	0115213	1/2" X 2-1/2" BOLT
6B	8	1137187	1/2" LOCK NUT
7	2	3A8612D	TOP ARM
8	4	7J9682D	INSERT BUSHING
9	2	4K3004D	TRUNION CAP
10	2	0115176	7/16" X 6-1/2" BOLT

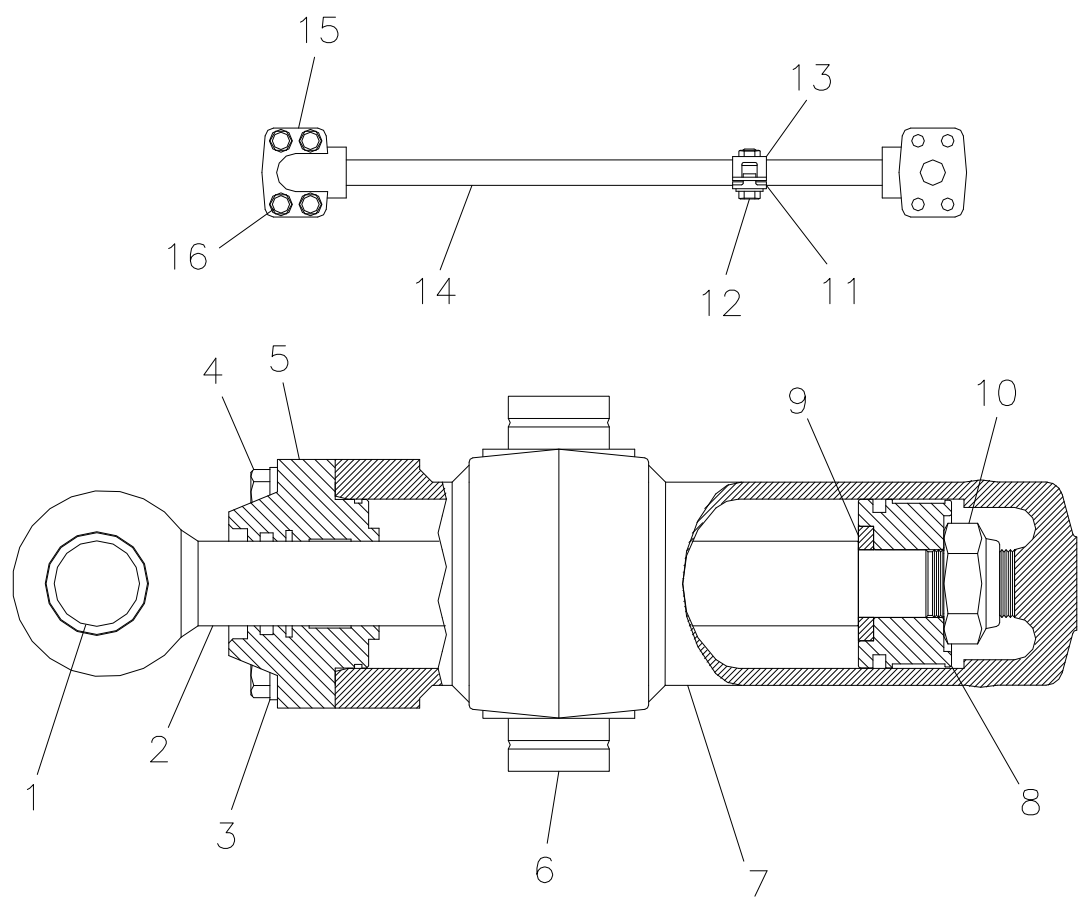
REF	QTY	PART #	DESC
11	1	3K8510D	PIN
12A	2	0115209	1/2" X 1-1/2" BOLT
12B	2	1133895	1/2" LOCK WASHER
13	1	2K0703D	PIN LOCK
14	4	9W0099D	INSERT BUSHING
15	1	P74D003	DRAWBAR
16	2	1137186	7/16" LOCK NUT
17	3	9J8926D	TOOTH GROUP
18	3	5K7748D	HOLDER
19	2	1U0159D	PIN

# MOUNT GROUP



REF	QTY	PART #	DESCRIPTION
1	1	P74D001	MOUNT
2	2	9J9598D	PIN
3	2	1U0159D	PIN
4	2	15169	BOLT (7/16" x 4")
5	2	1137186	7/16" LOCKNUT
6	2	15169	BOLT (7/16" x 4")
7	2	1137186	7/16" LOCKNUT

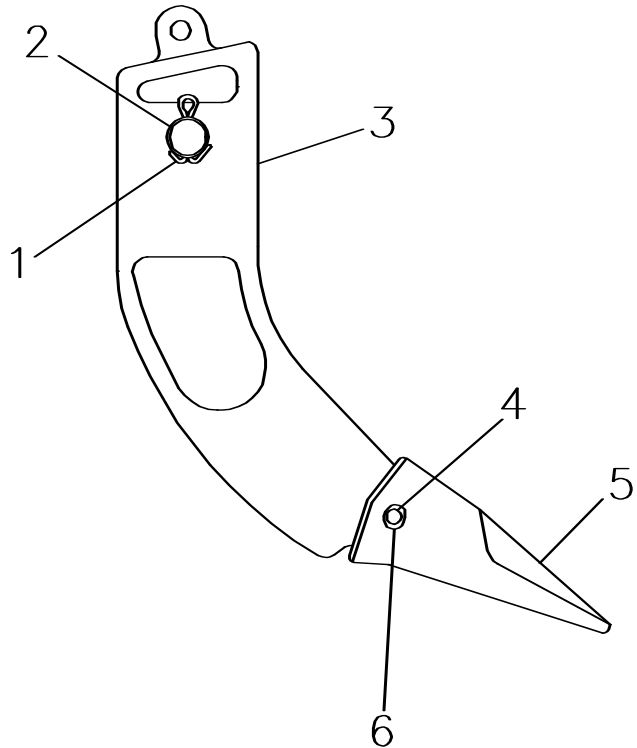
# 9T2716D CYLINDER



REF	QTY	PART #	DESC
1	1	2K4507D	INSERT BUSH
2	1	9T2714D	RAM
3	4	33673D	7/8" LOCK WASHER
4	4	14417D	7/8" X 3-1/2" BOLT GR-8 YZ
5	1	9T6863D	HEAD
6	2	4K3128D	INSERT BUSH
7	1	9T2715D	BARREL
8	1	3G1753D	PISTON
9	1	3G1757D	WASHER
10	1	2J0564D	LOCKNUT
	1	BD642120	SEAL KIT

OPTIONAL PART LISTED BELOW			
REF	QTY	PART #	DESC
11	1	8T1888D	CLIP
12a	1	0115107	3/8" X 1-1/4" BOLT
12b	2	1133859	3/8" FLAT WASHER
12c	1	1133893	3/8" LOCK WASHER
12d	1	1136406	3/8" NUT
13	1	8T1887D	CLIP
14	1	9W2392D	TUBE ASMB
15	1	4J5267D	O-RING
16a	4	0115111	3/8" X 2" BOLT
16b	4	1133893	3/8" LOCK WASHER

# 9J8926D TOOTH GROUP



REF	QTY	PART #	DESC
1	2	3B5325D	COTTER PIN
2	1	8J2190D	SHANK PIN
3	1	9J8923D	SHANK
4	1	9J2358D	TIP PIN
5	1	6Y0359D	TIP
6	1	1U2405D	RETAINER



**Diamond**  
**MANUFACTURING**

## LIMITED WARRANTY

This **limited warranty** covers defects in **materials and/or workmanship** only. Diamond Attachments will repair or replace any parts which are found to be defective in materials or workmanship for a period of **six (6) months** from the date of shipment or invoice. The defect must occur during normal use of the product within the warranty period. **SHANKS ARE EXPRESSLY EXCLUDED FROM THIS LIMITED WARRANTY AND ARE SPECIFICALLY ADDRESSED BELOW.**

With regard to SHANKS only, Diamond Attachments will repair or replace shanks against breakage for **thirty (30) days** from the date of shipment. The breakage must occur during normal use of the product within the warranty period. However, **RIPPER SHANKS** are NOT warranted if:

- The shanks are welded or cut on.
- The shanks are used in a manner that is inconsistent with their design (i.e., pulled behind a tractor larger than for what they were designed)
- Any circumstances deemed unusual or uncommon use by Diamond Attachments.

This limited warranty outlines specific legal rights. Diamond Attachments does not authorize any person to create any obligation or liability other than stated in this Limited Warranty.

**NO OTHER WARRANTIES, EXPRESS OR IMPLIED, INCLUDING WARRANTIES OF MERCHANTABILITY AND/OR FITNESS FOR A PARTICULAR PURPOSE SHALL BE APPLICABLE TO ANY PRODUCT SOLD BY DIAMOND ATTACHMENTS. THERE ARE NO WARRANTIES WHICH EXTEND BEYOND THE DESCRIPTION ON THE FACE HEREOF.**

DIAMOND ATTACHMENTS EXPRESSLY DISCLAIMS LIABILITY FOR ANY SPECIAL, INCIDENTAL, CONSEQUENTIAL OR PUNITIVE DAMAGES, LOSS OF TIME OR PROFITS, DIRECT, INDIRECT, OR GENERAL DAMAGES ARISING OUT OF ANY BREACH OF WARRANTY, EXPRESS OR IMPLIED.

### **Conditions of Warranty**

It is the customer's responsibility to give Diamond Attachments notice of any warranty claim as soon as possible. You must contact Diamond Attachments or an authorized dealer immediately so that repairs can be made in a timely manner. It is the customer's responsibility to maintain the equipment in accordance with the instructions provided by Diamond Attachments. It is recommended that you keep records and receipts as you may be asked to prove that the maintenance instructions have been followed.

It is also your responsibility to operate the equipment in a safe manner, and for the use for which the equipment was designed. If a defect in materials or workmanship occurs, it is your responsibility to cease operating the equipment until proper repairs are made. **Damage which occurs from continued operation is not covered by this warranty. Failure to comply with these conditions may invalidate this Limited Warranty.**

### **This Warranty Does Not Cover Damages Caused By:**

- Abusive operation
- Misuse or neglect
- Natural calamities or accidents
- Unauthorized modifications or repairs
- Neglected maintenance
- Unapproved attachments
- Usage contrary to the intended purpose
- Damage caused by installation of the air conditioning system by anyone other than Diamond Attachments or a technician authorized by it. (This does not apply to a defect in materials of any component part of the air conditioning system manufactured by Diamond Attachments)

### **This Warranty Does Not Cover:**

- Pickup or Delivery of the equipment or product
- Installation or other labor charges (including the Air Conditioner)
- Rental of replacement equipment during the repair period
- Freight charges for replacement parts
- Travel time or mileage
- Component parts that are not manufactured by Diamond Attachments

### **How to Obtain Warranty Service**

To obtain warranty service under the terms and conditions of this Limited Warranty, you must deliver the product to Diamond Attachments, 2801A S. Mississippi Ave., Atoka, OK 74525 (transportation and insurance prepaid) or to an authorized Diamond Attachments Dealer, within the warranty period, along with proof of purchase. **Failure to notify Diamond Attachments of any potential warranty claim prior to having the damage repaired waives the protection provided by the Limited Warranty and relieves Diamond Attachments of any obligation under the Limited Warranty.** The Limited Warranty is not effective if the damage is repaired by anyone other than Diamond Attachments or its authorized dealer.

### **Governing Law**

Any and all actions arising out of the sale of this product, including any warranty claim, shall be governed by and construed in accordance with the laws of the State of Oklahoma and the applicable law of the United States of America without regard to conflict of law principles. Any action or proceeding in connection with this product, including any warranty claim, shall only be brought in the District Court of Atoka County, Oklahoma.