



PARTS MANUAL

80J RIPPER

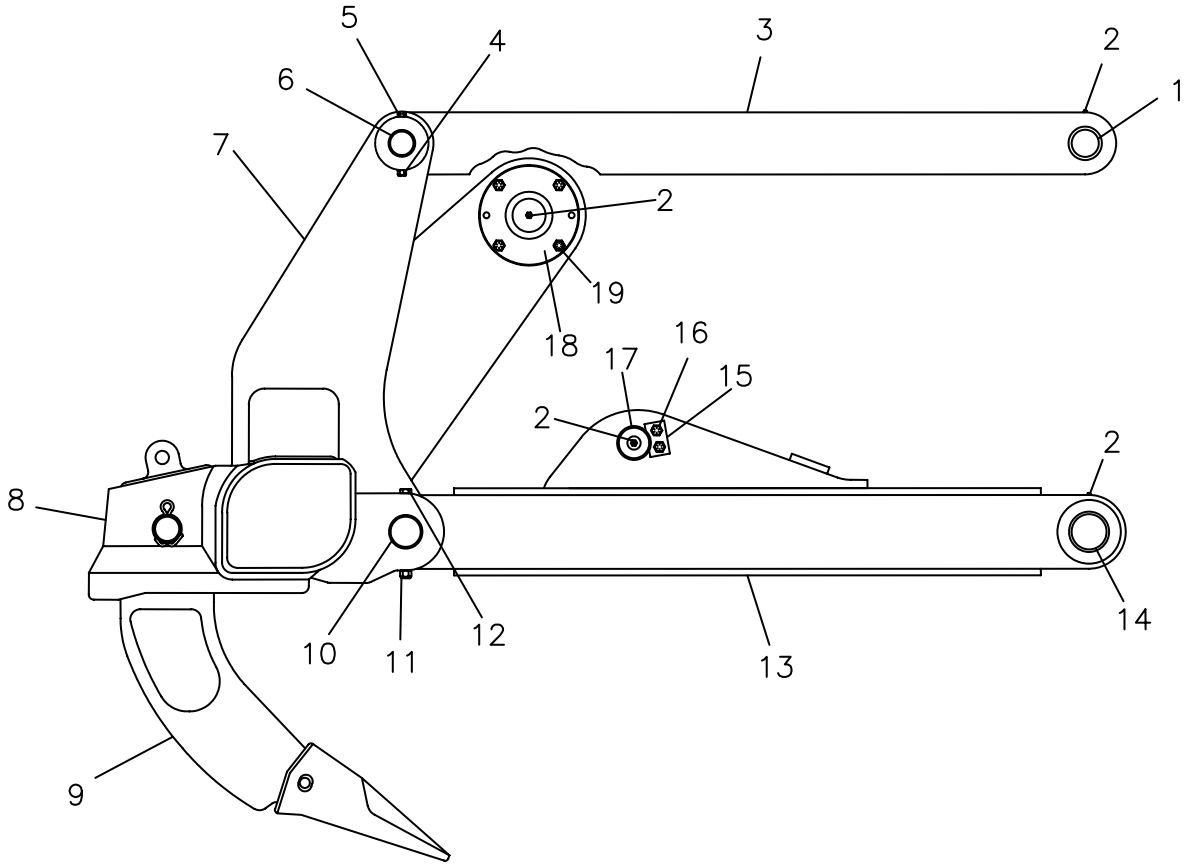
80J080001 – UP

81J HIGH LIFT RIPPER

81J080001 – UP

80J SERIES RIPPER

(REQUIRES 9T2716D CYLINDER)

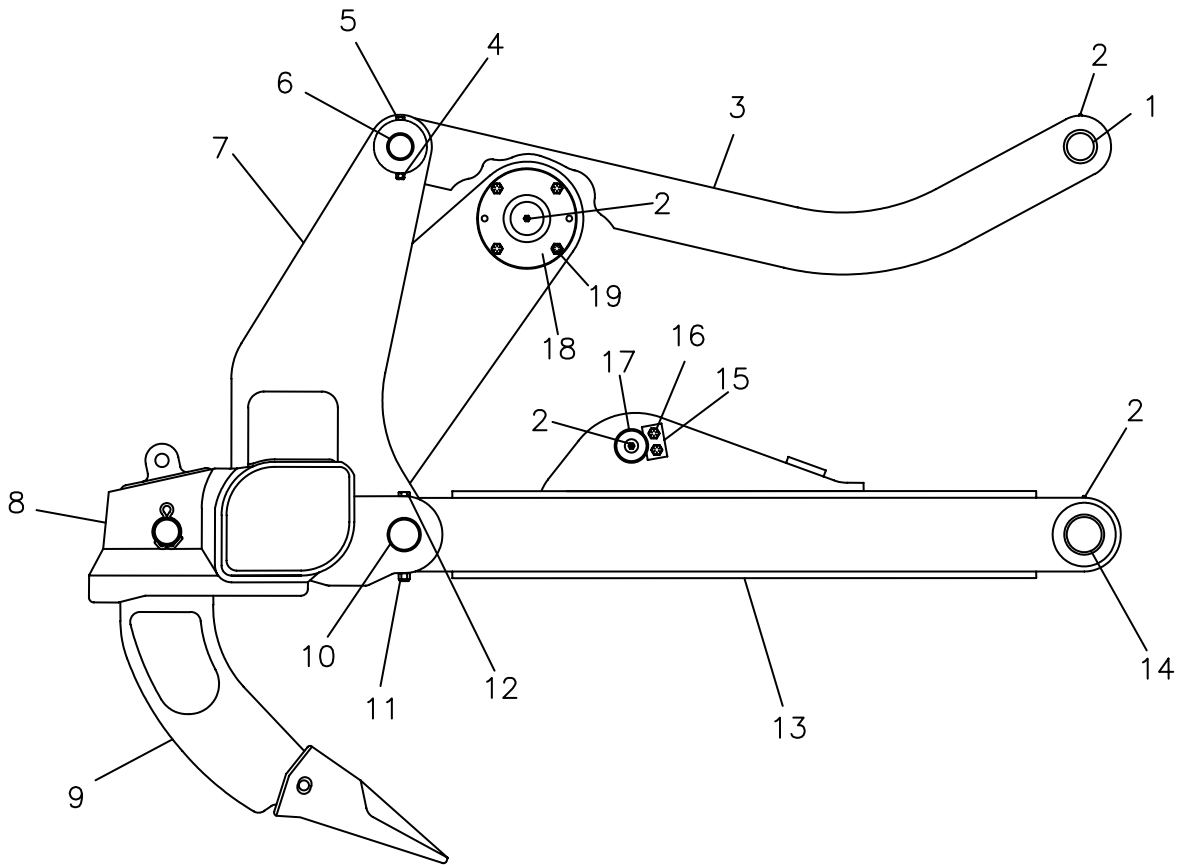


REF	QTY	PART #	DESC
1	4	9W0876D	INSERT BUSH
2	11	60102	GREASE FITTING
3	2	9W0873D	TOP ARM
4	2	1137185	3/8" LOCKNUT
5	2	15121	3/8" X 4-1/2" BOLT
6	2	9J9598D	PIN
7	1	9W0201D	TOOLBAR
8	3	5K7748D	HOLDER
9	2	9J8926D	TOOTH GROUP
10	2	1U0159D	PIN
11	2	1137186	7/16" LOCKNUT

REF	QTY	PART #	DESC
12	2	15176	7/16" X 6-1/2" BOLT
13	1	9W1119D	DRAWBAR
14	4	9W0099D	INSERT BUSH
15	1	2K0703D	PIN LOCK
16a	2	15209	1/2" X 1-1/2" BOLT
16b	2	1133895	1/2" LOCK WASHER
17	1	3K8510D	PIN
18	2	4K3004D	TRUNION CAP
19a	8	15213	1/2" X 2-1/2" BOLT
19b	8	1137187	1/2" LOCK NUT

81J SERIES RIPPER “HIGH LIFT DESIGN”

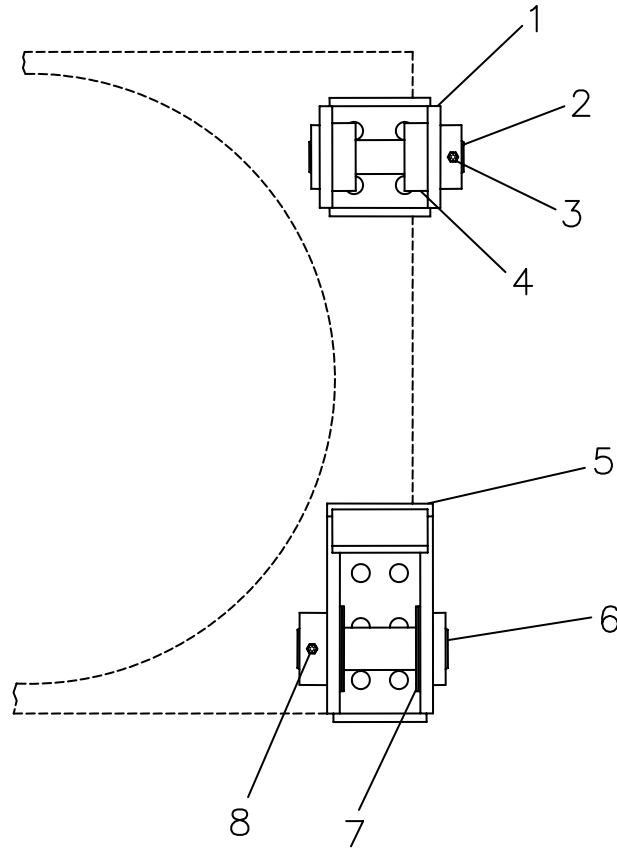
(REQUIRES 3G5189D CYLINDER)



REF	QTY	PART #	DESC
1	4	9W0876D	INSERT BUSH
2	11	60102	GREASE FITTING
3	2	9W0873D	TOP ARM
4	2	1137185	3/8" LOCKNUT
5	2	15121	3/8" X 4-1/2" BOLT
6	2	9J9598D	PIN
7	1	9W0201D	TOOLBAR
8	3	5K7748D	HOLDER
9	2	9J8926D	TOOTH GROUP
10	2	1U0159D	PIN
11	2	1137186	7/16" LOCKNUT

REF	QTY	PART #	DESC
12	2	15176	7/16" X 6-1/2" BOLT
13	1	9W1119D	DRAWBAR
14	4	9W0099D	INSERT BUSH
15	1	2K0703D	PIN LOCK
16a	2	15209	1/2" X 1-1/2" BOLT
16b	2	1133895	1/2" LOCK WASHER
17	1	3K8510D	PIN
18	2	4K3004D	TRUNION CAP
19a	8	15213	1/2" X 2-1/2" BOLT
19b	8	1137187	1/2" LOCK NUT

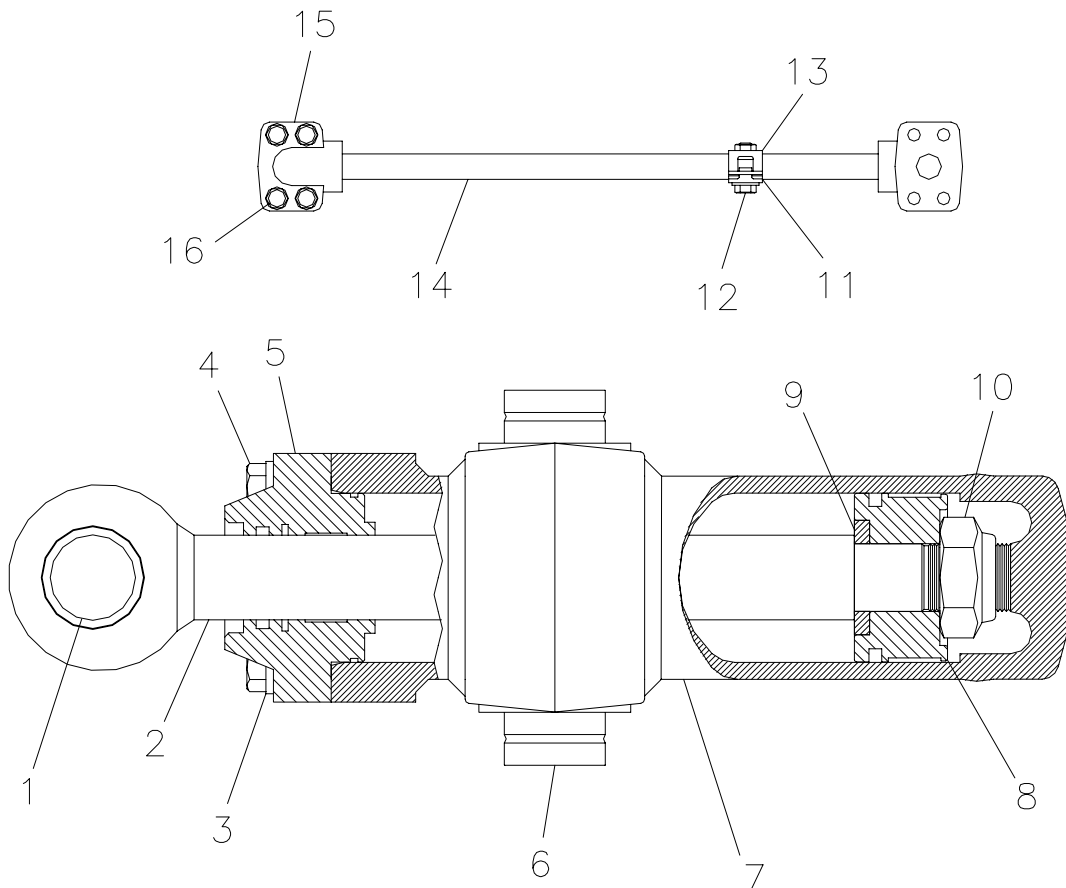
80J/81J SERIES MOUNTS



REF	QTY	PART #	DESC
1	2	1U0301D	TOP BRKT
2	2	1U0612D	PIN
3a	2	15121	3/8" X 4-1/2" BOLT
3b	2	1137185	3/8" LOCKNUT
4	4	9W0609D	SPACER
5a	1	1U0300D	BRKT—RH

REF	QTY	PART #	DESC
5b	1	7T1975D	BRKT—LH
6	2	1U0159D	PIN
7a	12	9N4449D	SPACER—1/16
7b	4	9N4450D	SPACER—3/16
8a	2	15123	3/8" X 5" BOLT
8b	2	1137185	3/8" LOCKNUT

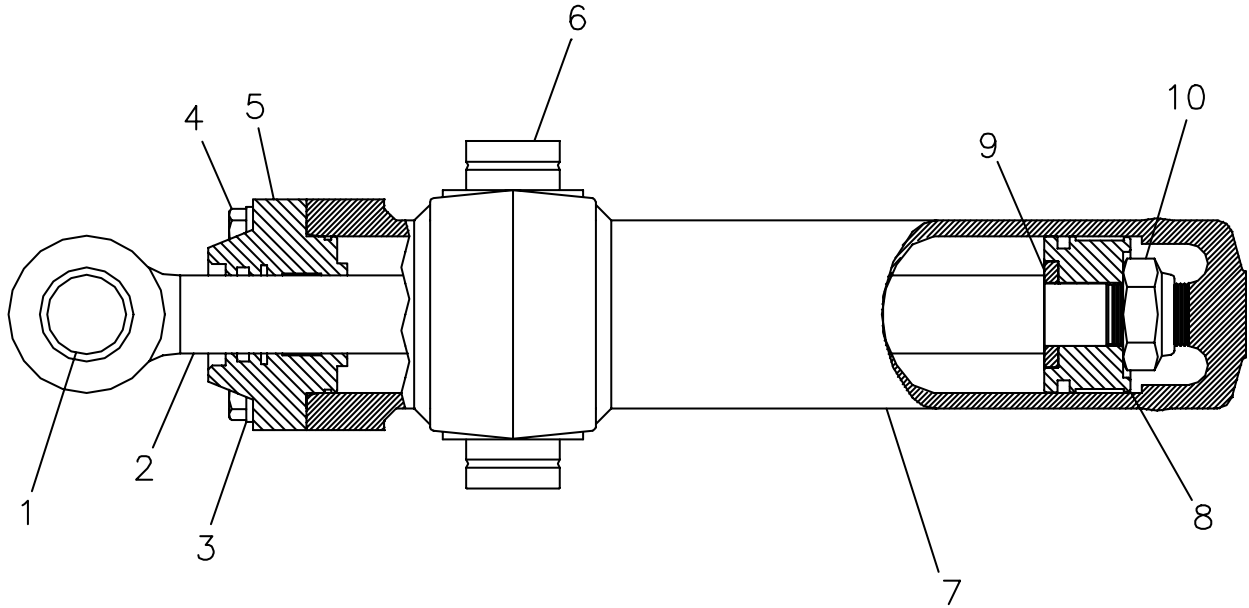
9T2716D CYLINDER



REF	QTY	PART #	DESC
1	1	2K4507D	INSERT BUSH
2	1	9T2714D	RAM
3	4	33673D	7/8" LOCK WASHER
4	4	14417D	7/8" X 3-1/2" BOLT GR-8 YZ
5	1	9T6863D	HEAD
6	2	4K3128D	INSERT BUSH
7	1	9T2715D	BARREL
8	1	3G1753D	PISTON
9	1	3G1757D	WASHER
10	1	2J0564D	LOCKNUT
	1	BD642120	SEAL KIT

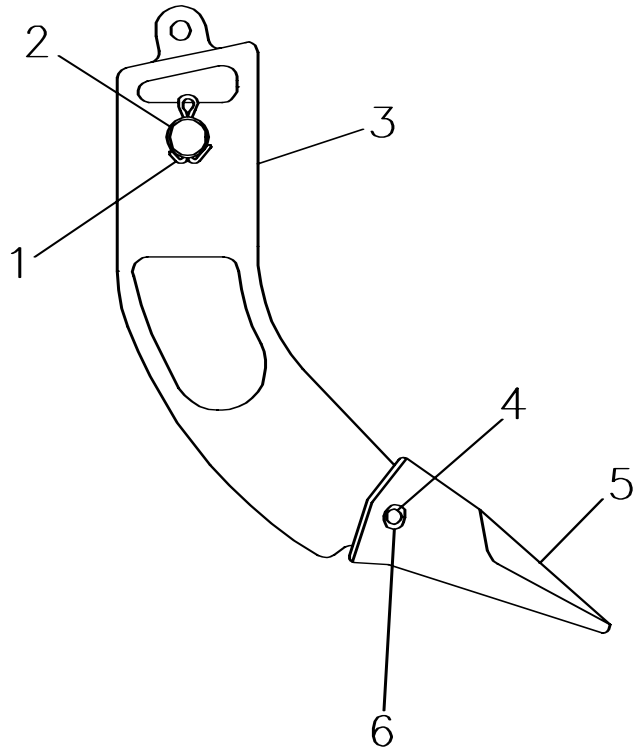
OPTIONAL PART LISTED BELOW			
REF	QTY	PART #	DESC
11	1	8T1888D	CLIP
12a	1	0115107	3/8" X 1-1/4" BOLT
12b	2	1133859	3/8" FLAT WASHER
12c	1	1133893	3/8" LOCK WASHER
12d	1	1136406	3/8" NUT
13	1	8T1887D	CLIP
14	1	9W2392D	TUBE ASMB
15	1	4J5267D	O-RING
16a	4	0115111	3/8" X 2" BOLT
16b	4	1133893	3/8" LOCK WASHER

3G5189D CYLINDER



REF	QTY	PART #	DESC
1	1	2K4507D	RAM INSERT
2	1	3G1756D	RAM
3	4	33673D	7/8" LOCK WASHER
4	4	14417D	7/8" X 3 1/2" BOLT GR-8 YZ
5	1	9T6863D	HEAD
6	2	4K3128D	INSERT
7	1	3G5188D	BARREL
8	1	3G1753D	PISTON
9	1	3G1757D	WASHER
10	1	2J0564D	LOCK NUT
	1	BD642120	SEAL KIT

9J8926D TOOTH GROUP



REF	QTY	PART #	DESC
1	2	3B5325D	COTTER PIN
2	1	8J2190D	SHANK PIN
3	1	9J8923D	SHANK
4	1	9J2358D	TIP PIN
5	1	6Y0359D	TIP
6	1	1U2405D	RETAINER

DIAMOND MANUFACTURING, INC.

LIMITED WARRANTY

Limited Warranty

This limited warranty covers defects in materials or workmanship only. Diamond Mfg. will repair or replace any parts, which are found to be defective in materials or workmanship for a period of **six (6) months** from the date of shipment from the factory. The defect must occur during normal use of the product within the warranty period. SHANKS ARE EXPRESSLY EXCLUDED FROM THIS LIMITED WARRANTY AND ADDRESSED IN A SEPARATE WARRANTY.

Limitations

This Limited Warranty outlines specific legal rights. Diamond Mfg. does not authorize any person to create for Diamond Mfg. any obligation or liability other than stated in this Limited Warranty. This warranty gives you specific legal rights, and you may also have other rights which vary from state to state.

NO OTHER WARRANTIES, EXPRESS OR IMPLIED, INCLUDING WARRANTIES OF MERCHANTABILITY AND FITNESS FOR A PARTICULAR PURPOSE SHALL BE APPLICABLE TO ANY PRODUCT SOLD HEREUNDER.

TO THE EXTENT PERMITTED BY LAW, DIAMOND MFG. DISCLAIMS LIABILITY FOR ANY SPECIAL, INCIDENTAL CONSEQUENTIAL, OR PUNITIVE DAMAGES, LOSS OF TIME OR PROFITS, DIRECT, INDIRECT, GENERAL OR SPECIAL DAMAGES ARISING OUT OF ANY BREACH OF WARRANTY, EXPRESS OR IMPLIED. SOME STATES DO NOT ALLOW THE EXCLUSION OR LIMITATION OF INCIDENTAL OR CONSEQUENTIAL DAMAGES, SO THE ABOVE LIMITATION OR EXCLUSION MAYNOT APPLY TO YOU.

Customer Responsibility

It is the customer's responsibility to maintain the equipment in accordance with the instructions provided in the Operator's Manual. Diamond Mfg. recommends that you keep records and receipts; you may be asked to prove that the maintenance instructions have been followed.

It is also your responsibility to operate the equipment in a safe manner, and for the use for which it was designed. If a defect in materials or workmanship occurs, it is your responsibility to cease operating the equipment until repairs are made. **Damage, which occurs from continued operation, is not be covered by this warranty.** You should contact Diamond Mfg. or your authorized Diamond Mfg. dealer immediately so that repairs can be made in a timely manner.

This Warranty Does NOT Cover Damages Caused By:

- Abusive operations
- Misuse or neglect
- Natural calamities or accidents
- Unauthorized modifications
- Neglected Maintenance
- Unapproved attachments
- Usage contrary to the intended purpose

This Warranty Does NOT Cover:

- Pickup or delivery of the equipment or product
- Installation or other labor charges
- Rental of replacement equipment during the repair period
- Freight charges for replacement parts
- Travel time or mileage
- Component parts that are not manufactured by Diamond Mfg.

How to Obtain Warranty Service

To obtain warranty service under the terms and conditions of this Limited Warranty, you must deliver the product to Diamond Mfg., PO Box 270, Atoka, OK 24525 (transportation and insurance prepaid) or to an authorized Diamond Mfg. dealer, within the warranty period, along with proof of purchase. If you have questions, please call Diamond Mfg. at (580) 889-6202.

Governing Law. ANY AND ALL ACTIONS ARISING OUT OF THE SALE OF THIS PRODUCT OR THE ACCOMPANYING WARRANTY SHALL BE GOVERNED BY AND CONSTRUED IN ACCORDANCE WITH THE LAWS OF THE STATE OF OKLAHOMA AND THE APPLICABLE LAWS OF THE UNITED STATES OF AMERICA WITHOUT REGARD TO CONFLICT OF LAW PRINCIPLES.

Any action or proceeding under or in connection with this product or the accompanying warranty may only be brought in the District Court of Atoka County, Oklahoma.

DIAMOND MANUFACTURING, INC.

SHANK LIMITED WARRANTY

Limited Warranty

This limited warranty covers defects in materials or workmanship only. Diamond Mfg. will repair or replace shanks against breakage for **thirty (30) days** from the date of shipment. The defect must occur during normal use of the product within the warranty period.

Limitations

This Limited Warranty outlines specific legal rights. Diamond Mfg. does not authorize any person to create for Diamond Mfg. any obligation or liability other than stated in this Limited Warranty. This warranty gives you specific legal rights, and you might also have other rights which vary from state to state.

DIAMOND MFG. MAKES NO OTHER WARRANTY OF ANY KIND WHATEVER, EXPRESS OR IMPLIED; AND ALL IMPLIED WARRANTIES OF MERCHANTABILITY AND FITNESS FOR A PARTICULAR PURPOSE ARE HEREBY DISCLAIMED AND EXCLUDED.

TO THE EXTENT PERMITTED BY LAW, DIAMOND MFG. DISCLAIMS LIABILITY FOR ANY SPECIAL, INCIDENTAL CONSEQUENTIAL, OR PUNITIVE DAMAGES, LOSS OF TIME OR PROFITS, DIRECT, INDIRECT, GENERAL OR SPECIAL DAMAGES ARISING OUT OF ANY BREACH OF WARRANTY, EXPRESS OR IMPLIED. SOME STATES DO NOT ALLOW THE EXCLUSION OR LIMITATION OF INCIDENTAL OR CONSEQUENTIAL DAMAGES, SO THE ABOVE LIMITATION OR EXCLUSION MAYNOT APPLY TO YOU.

Customer Responsibility

It is also your responsibility to operate equipment in a safe manner, and for the use for which it was designed. If a defect in materials or workmanship occurs, it is your responsibility to cease operating the equipment until repairs are made. **Damage, which occurs from continued operation, is not covered by this warranty.** You should contact Diamond Mfg. or your authorized Diamond Mfg. dealer immediately so that repairs can be made in a timely manner.

Ripper Shanks Will NOT BE Warranted If:

- The shanks are welded or cut on.
- The shanks are used in a manner that is inconsistent with their design (*i.e.*, pulled behind a tractor larger than they were designed for).
- Any circumstances deemed unusual or uncommon use by Diamond Mfg.

This Warranty Does NOT Cover Damages Caused By:

- Abusive operations
- Misuse or neglect
- Natural calamities or accidents
- Unauthorized modifications
- Neglected Maintenance
- Unapproved attachments
- Usage contrary to the intended purpose

This Warranty Does NOT Cover:

- Pickup or delivery of the equipment or product
- Installation or other labor charges
- Rental of replacement equipment during the repair period
- Freight charges for replacement parts
- Travel time or mileage
- Component parts that are not manufactured by Diamond Mfg.

How to Obtain Warranty Service

To obtain warranty service under the terms and conditions of this Limited Warranty, you must deliver the product to Diamond Mfg., PO Box 270, Atoka, OK 24525 (transportation and insurance prepaid) or to an authorized Diamond Mfg. dealer, within the warranty period, along with proof of purchase. If you have questions, please call Diamond Mfg. at (580) 889-6202.

Governing Law. ANY AND ALL ACTIONS ARISING OUT OF THE SALE OF THIS PRODUCT OR THE ACCOMPANYING WARRANTY SHALL BE GOVERNED BY AND CONSTRUED IN ACCORDANCE WITH THE LAWS OF THE STATE OF OKLAHOMA AND THE APPLICABLE LAWS OF THE UNITED STATES OF AMERICA WITHOUT REGARD TO CONFLICT OF LAW PRINCIPLES.

Any action or proceeding under or in connection with this product or the accompanying warranty may only be brought in the District Court of Atoka County, Oklahoma.