

# **PARTS MANUAL**

---

**KOMATSU 655 RIPPER**

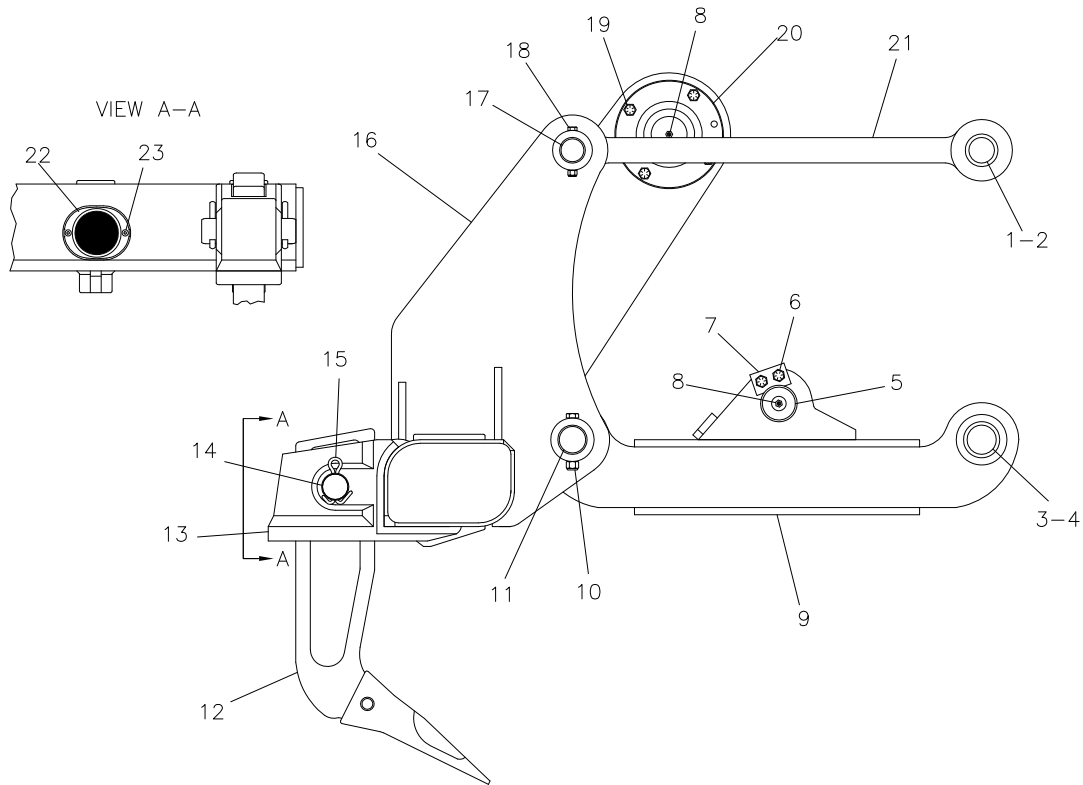
---

**11J070001 - UP**

**DIAMOND MFG. INC.**

NOV. 2009

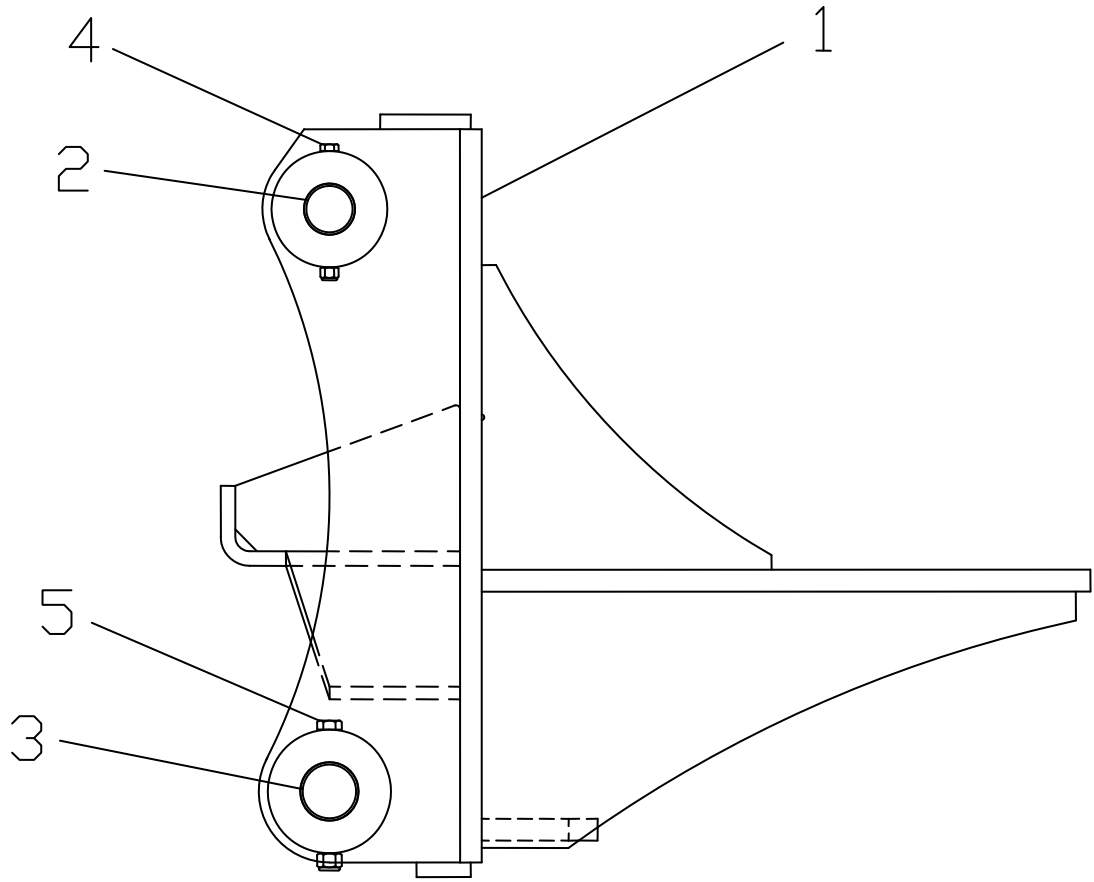
# KOMATSU 655—11J SERIES RIPPER



REF	QTY	PART #	DESC
<b>1</b>	4	3G2581D	BEARING
<b>2</b>	8	2D0626D	SEAL
<b>3</b>	4	3G2579D	BEARING
<b>4</b>	8	7K9203D	SEAL
<b>5</b>	1	2K0120D	PIN
<b>6a</b>	2	0115209	1/2" X 1-1/2" BOLT
<b>6b</b>	2	1133895	1/2" LOCK WASHER
<b>7</b>	1	2K0703D	PIN LOCK
<b>8</b>	3	60102	GREASE FITTING
<b>9</b>	1	9J0095D	DRAW BAR
<b>10a</b>	2	0115217	1/2" X 3-1/2" BOLT
<b>10b</b>	2	1137187	1/2" LOCK NUT
<b>11</b>	2	4K3150D	PIN
<b>12</b>	3	8J1434D	TOOTH GROUP

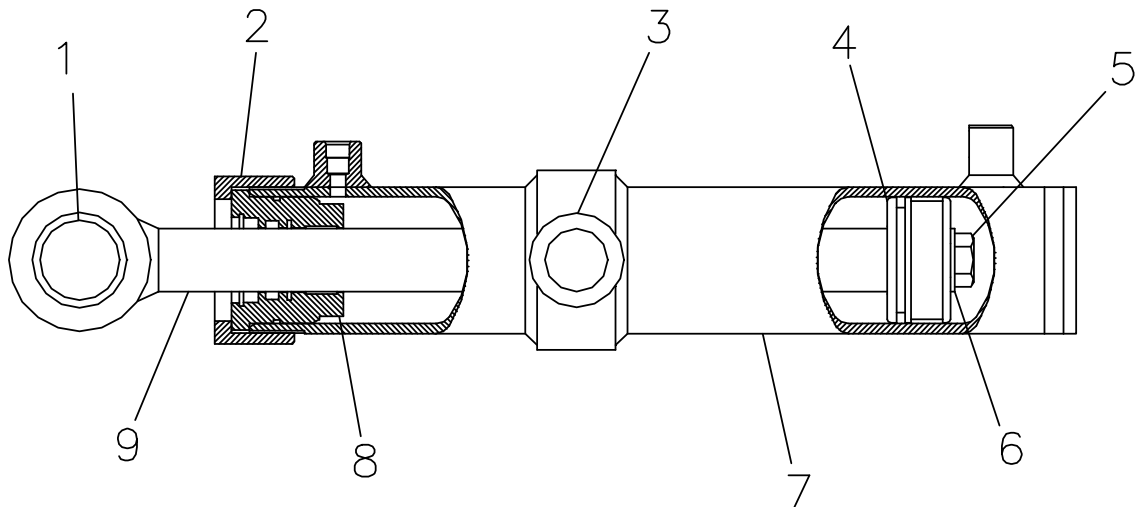
REF	QTY	PART #	DESC
<b>13</b>	5	4K6302D	HOLDER
<b>14</b>	5	2K6413D	PIN
<b>15</b>	10	3B5325D	COTTER PIN
<b>16</b>	1	9W3155D	CARRIAGE ASS
<b>17</b>	2	8J7008D	PIN
<b>18a</b>	2	0115117	3/8" X 3-1/2" BOLT
<b>18b</b>	2	1137185	3/8" LOCK NUT
<b>19a</b>	8	0115213	1/2" X 2-1/2" BOLT
<b>19b</b>	8	1137187	1/2" LOCK NUT
<b>20</b>	2	4K3004D	TRUNION CAP
<b>21</b>	2	9J0096D	TOP ARM
<b>22</b>	2	766363D	REFLECTOR
<b>23</b>	4	1173751	1/4" SCREW

# MOUNT GROUP



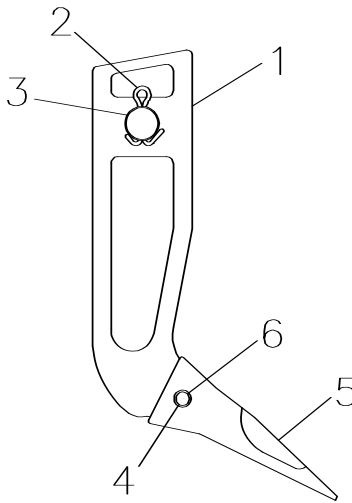
REF	QTY	PART #	DESCRIPTION
1	1	P11J001	MOUNT
2	2	8J7008D	PIN
3	2	4K3150D	PIN
4a	2	15121	BOLT (3/8" x 4-1/2")
4b	2	1137185	LOCK NUT (3/8")
5a	2	15223	BOLT (1/2" x 5")
5b	2	1137187	LOCK NUT (1/2")

# 8J1658D CYLINDER



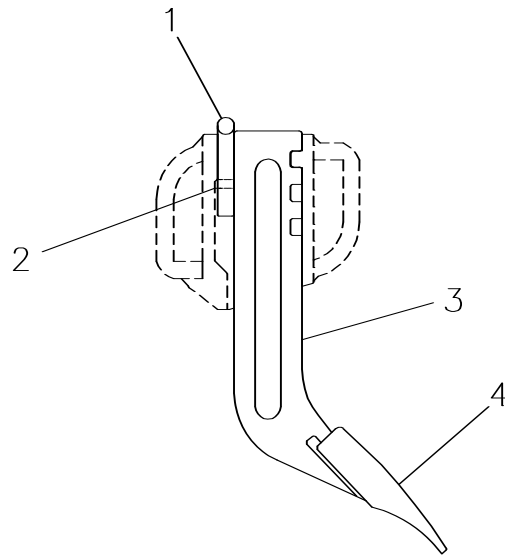
REF	QTY	PART #	DESC
1	1	2K4507D	INSERT
2	1	7J6461D	CROWN
3	2	8J9911D	BEARING
4	1	7J6469D	PISTON
5	1	7J5639D	BOLT
6	1	8J7415D	WASHER
7	1	8J1657D	BARREL
8	1	9T9258D	HEAD
9	1	9J0392D	RAM
	1	BD647106	SEAL KIT

# 8J1434D TOOTH GROUP



REF	QTY	PART #	DESC
1	1	9J6586D	SHANK
2	2	3B5325D	COTTER PIN
3	1	2K6413D	PIN
4	1	3G9549D	RETAINER
5	1	6Y0309D	TIP
6	1	9J2358D	TIP PIN

# 4K3330D TOOTH GROUP-SCARFIER



REF	QTY	PART #	DESC
1	1	5K1459D	LOCK
2	1	5K1458D	GROMMET
3	1	9F5124D	SCARFIER SHANK
4	1	2D5572D	TIP



**Diamond**  
**MANUFACTURING**

## LIMITED WARRANTY

This **limited warranty** covers defects in **materials and/or workmanship** only. Diamond Attachments will repair or replace any parts which are found to be defective in materials or workmanship for a period of **six (6) months** from the date of shipment or invoice. The defect must occur during normal use of the product within the warranty period. **SHANKS ARE EXPRESSLY EXCLUDED FROM THIS LIMITED WARRANTY AND ARE SPECIFICALLY ADDRESSED BELOW.**

With regard to SHANKS only, Diamond Attachments will repair or replace shanks against breakage for **thirty (30) days** from the date of shipment. The breakage must occur during normal use of the product within the warranty period. However, **RIPPER SHANKS** are NOT warranted if:

- The shanks are welded or cut on.
- The shanks are used in a manner that is inconsistent with their design (i.e., pulled behind a tractor larger than for what they were designed)
- Any circumstances deemed unusual or uncommon use by Diamond Attachments.

This limited warranty outlines specific legal rights. Diamond Attachments does not authorize any person to create any obligation or liability other than stated in this Limited Warranty.

**NO OTHER WARRANTIES, EXPRESS OR IMPLIED, INCLUDING WARRANTIES OF MERCHANTABILITY AND/OR FITNESS FOR A PARTICULAR PURPOSE SHALL BE APPLICABLE TO ANY PRODUCT SOLD BY DIAMOND ATTACHMENTS. THERE ARE NO WARRANTIES WHICH EXTEND BEYOND THE DESCRIPTION ON THE FACE HEREOF.**

DIAMOND ATTACHMENTS EXPRESSLY DISCLAIMS LIABILITY FOR ANY SPECIAL, INCIDENTAL, CONSEQUENTIAL OR PUNITIVE DAMAGES, LOSS OF TIME OR PROFITS, DIRECT, INDIRECT, OR GENERAL DAMAGES ARISING OUT OF ANY BREACH OF WARRANTY, EXPRESS OR IMPLIED.

### **Conditions of Warranty**

It is the customer's responsibility to give Diamond Attachments notice of any warranty claim as soon as possible. You must contact Diamond Attachments or an authorized dealer immediately so that repairs can be made in a timely manner. It is the customer's responsibility to maintain the equipment in accordance with the instructions provided by Diamond Attachments. It is recommended that you keep records and receipts as you may be asked to prove that the maintenance instructions have been followed.

It is also your responsibility to operate the equipment in a safe manner, and for the use for which the equipment was designed. If a defect in materials or workmanship occurs, it is your responsibility to cease operating the equipment until proper repairs are made. **Damage which occurs from continued operation is not covered by this warranty. Failure to comply with these conditions may invalidate this Limited Warranty.**

### **This Warranty Does Not Cover Damages Caused By:**

- Abusive operation
- Misuse or neglect
- Natural calamities or accidents
- Unauthorized modifications or repairs
- Neglected maintenance
- Unapproved attachments
- Usage contrary to the intended purpose
- Damage caused by installation of the air conditioning system by anyone other than Diamond Attachments or a technician authorized by it. (This does not apply to a defect in materials of any component part of the air conditioning system manufactured by Diamond Attachments)

### **This Warranty Does Not Cover:**

- Pickup or Delivery of the equipment or product
- Installation or other labor charges (including the Air Conditioner)
- Rental of replacement equipment during the repair period
- Freight charges for replacement parts
- Travel time or mileage
- Component parts that are not manufactured by Diamond Attachments

### **How to Obtain Warranty Service**

To obtain warranty service under the terms and conditions of this Limited Warranty, you must deliver the product to Diamond Attachments, 2801A S. Mississippi Ave., Atoka, OK 74525 (transportation and insurance prepaid) or to an authorized Diamond Attachments Dealer, within the warranty period, along with proof of purchase. **Failure to notify Diamond Attachments of any potential warranty claim prior to having the damage repaired waives the protection provided by the Limited Warranty and relieves Diamond Attachments of any obligation under the Limited Warranty.** The Limited Warranty is not effective if the damage is repaired by anyone other than Diamond Attachments or its authorized dealer.

### **Governing Law**

Any and all actions arising out of the sale of this product, including any warranty claim, shall be governed by and construed in accordance with the laws of the State of Oklahoma and the applicable law of the United States of America without regard to conflict of law principles. Any action or proceeding in connection with this product, including any warranty claim, shall only be brought in the District Court of Atoka County, Oklahoma.