



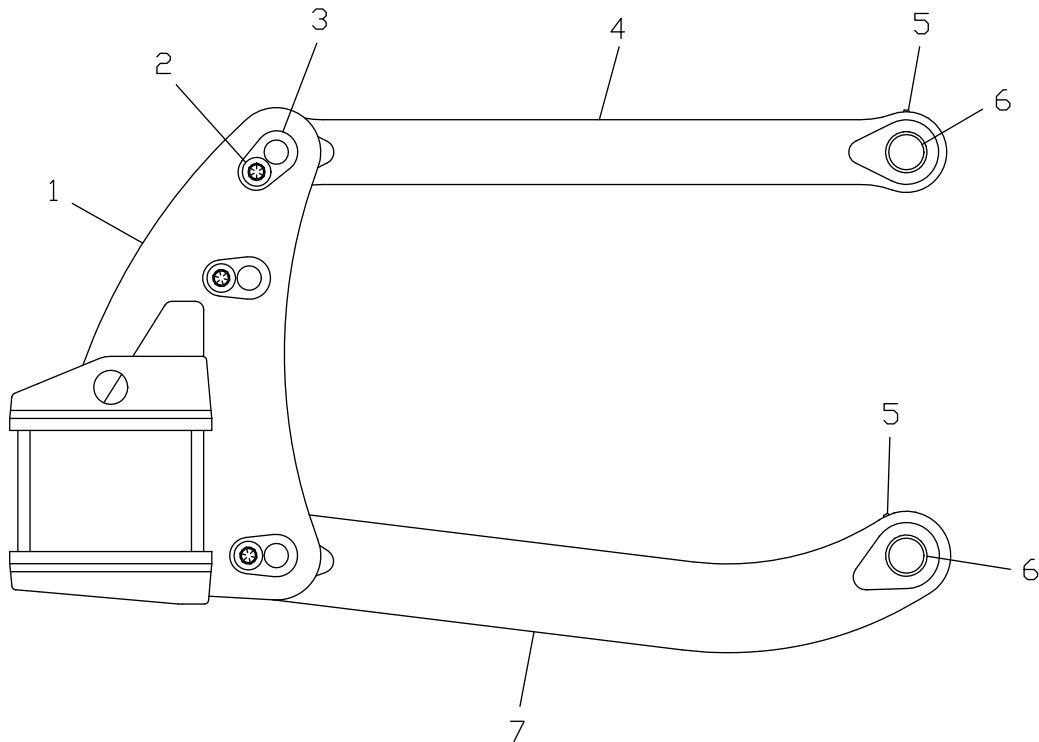
JD750J 76J SERIES RIPPER

PARTS MANUAL

76J070001 - UP

MARCH 2007

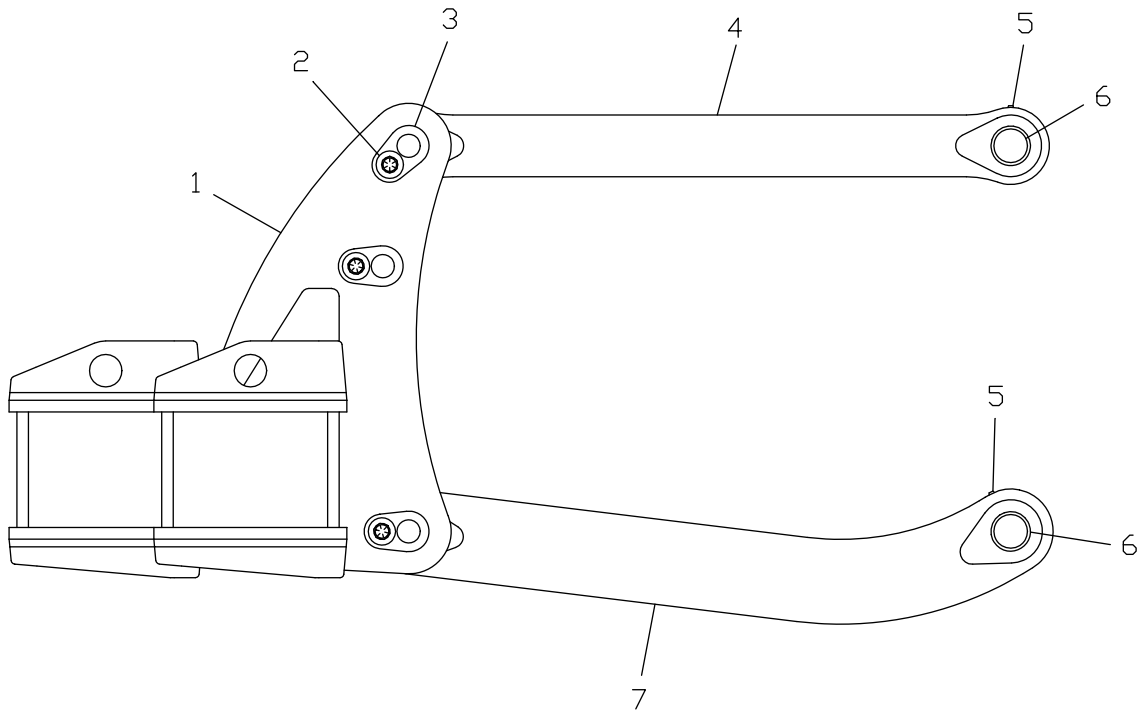
75J, 76J & 77J SERIES RIPPER THREE POCKET DESIGN



REF	QTY	PART #	DESC
1	1	P75J012	THREE POCKET TOOLBAR
2A	6	5/8" X 1-1/2"	BOLT
2B	6	5/8"	LOCK WASHER
2C	6	5/8"	FLAT WASHER
3	3	AT171078JD*	PIN
4	2	P75J009	TOP ARM
5	8	1/8"- 27 NPT	GREASE FITTING
6	8	H144296JD*	INSERT BUSHING
7	1	P75J008	DRAWBAR

* John Deere Replaceable Part

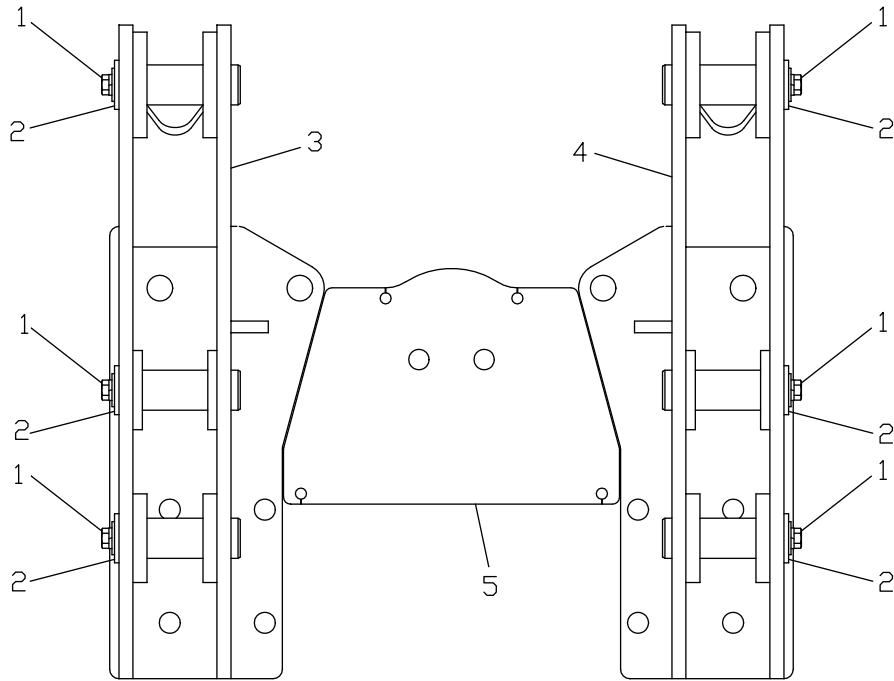
75J, 76J & 77J SERIES RIPPER FIVE POCKET DESIGN



REF	QTY	PART #	DESC
1	1	P75J007	FIVE POCKET TOOLBAR
2A	6	5/8" X 1-1/2"	BOLT
2B	6	5/8"	LOCK WASHER
2C	6	5/8"	FLAT WASHER
3	3	AT171078JD*	PIN
4	2	P75J009	TOP ARM
5	8	1/8"- 27 NPT	GREASE FITTING
6	8	H144296JD*	INSERT BUSHING
7	1	P75J008	DRAWBAR

* John Deere Replaceable Part

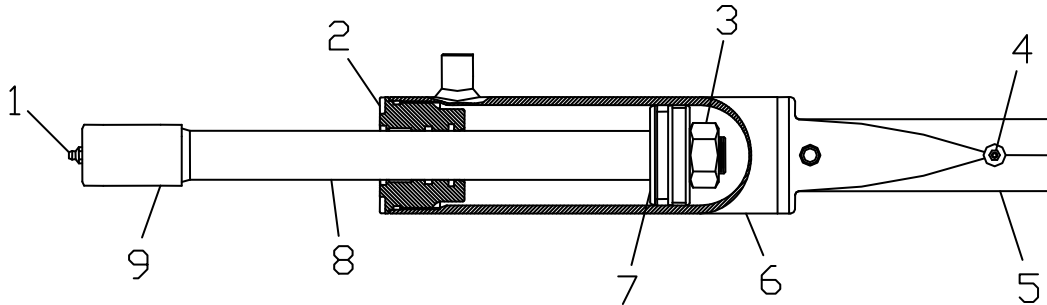
76J SERIES MOUNTS



REF	QTY	PART #	DESC
1A	6	5/8" X 1-1/2"	BOLT
1B	6	5/8"	LOCK WASHER
1C	6	5/8"	FLAT WASHER
2	6	AT171078JD*	PIN
3	1	P76J001	LH BACKING PLATE
4	1	P76J002	RH BACKING PLATE
5	1	P75J013	TRANSMISSION COVER
Not shown	10	1"-8 X 3"	MOUNTING BOLTS
	10	1"	LOCK WASHERS
	10	1"	FLAT WASHERS
	4	1 1/4"-7 X 3"	MOUNTING BOLTS
	4	1 1/4"	LOCK WASHERS
	4	1 1/4"	FLAT WASHERS
	4	M12 X 1.75 X 35mm	TRANSMISSION COVER BOLTS
	4	M12	LOCK WASHERS

* John Deere Replaceable Parts

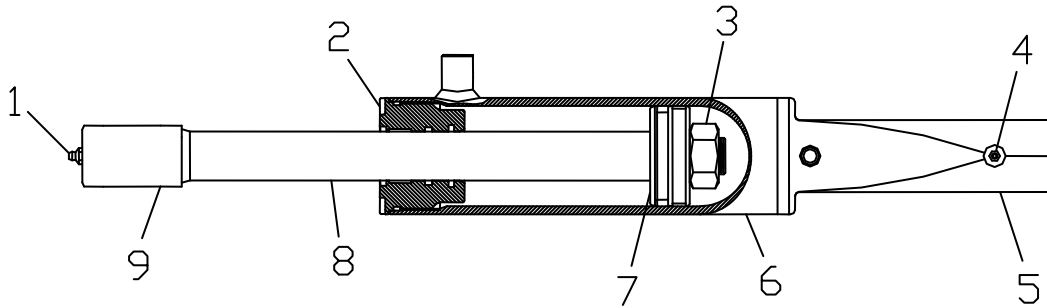
C7500R (RH) & C7500L (LH) SERIES CYLINDER



REF	QTY	PART #	DESC
1	1	1/8"-27 NPT	GREASE FITTING
2	1	C7500-02	HEAD
3	1	H209710D	NUT
4	1	1/8"-27 NPT	GREASE FITTING
5	1	R820755D	INSERT
6A	1	C7500R-04	RH BARREL
6B	1	C7500L-06	LH BARREL
7	1	C7500-07	PISTON
8	1	C7500-01	RAM
9	1	H144296JD	INSERT
SEAL QUANTITIES ARE PER CYLINDER <i>(DIAMOND SEAL KIT MAY CONTAIN SEALS THAT ARE NOT NEEDED)</i>			
	1	P75J018	DIAMOND SEAL KIT
SEAL QUANTITIES ARE PER CYLINDER <i>(JOHN DEERE SEALS BELOW CAN BE USED INSTEAD OF THE DIAMOND SEAL KIT)</i>			
*	1	R82095	WEAR RING (GLAND)
*	1	RE20809	SEAL (PISTON)
*	1	R98667	BACK-UP RING (GLAND)
*	1	E49244	O-RING (GLAND)
*	1	H152795	WEAR RING (GLAND)
*	1	H152204	SEAL (GLAND)
*	1	AH146562	SEAL (GLAND)
*	1	AH146558	SEAL (GLAND)

* John Deere Replaceable Parts

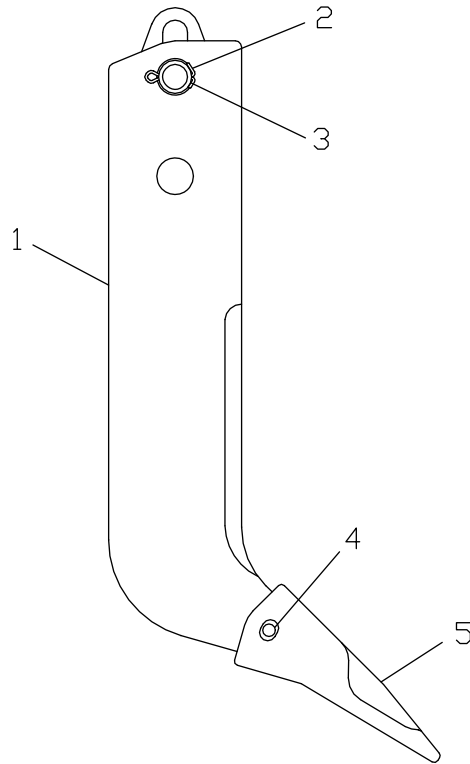
C7501R (RH) & C7501L (LH) SERIES CYLINDER



REF	QTY	PART #	DESC
1	1	1/8"-27 NPT	GREASE FITTING
2	1	C7500-02	HEAD
3	1	H209710D	NUT
4	1	1/8"-27 NPT	GREASE FITTING
5	1	R820755D	INSERT
6A	1	C7501R-03	RH BARREL
6B	1	C7501L-02	LH BARREL
7	1	C7500-07	PISTON
8	1	C7500-01	RAM
9	1	H144296JD	INSERT
SEAL QUANTITIES ARE PER CYLINDER <i>(DIAMOND SEAL KIT MAY CONTAIN SEALS THAT ARE NOT NEEDED)</i>			
	1	P75J018	DIAMOND SEAL KIT
SEAL QUANTITIES ARE PER CYLINDER <i>(JOHN DEERE SEALS BELOW CAN BE USED INSTEAD OF THE DIAMOND SEAL KIT)</i>			
*	1	R82095	WEAR RING (GLAND)
*	1	RE20809	SEAL (PISTON)
*	1	R98667	BACK-UP RING (GLAND)
*	1	E49244	O-RING (GLAND)
*	1	H152795	WEAR RING (GLAND)
*	1	H152204	SEAL (GLAND)
*	1	AH146562	SEAL (GLAND)
*	1	AH146558	SEAL (GLAND)

* John Deere Replaceable Parts

P75J003-CO1 SHANK GROUP



REF	QTY	PART #	DESC
1	1	P75J003	SHANK
2	1	4J5240D	SHANK PIN
3	2	3/8" X 3-1/2"	COTTER PIN
4A	1	T8E6359JD*	RETAINER
4B	1	T9W2668JD*	TIP PIN
5	1	T6Y0359JD*	TOOTH

*** John Deere Replaceable Parts**



Diamond
MANUFACTURING

LIMITED WARRANTY

This **limited warranty** covers defects in **materials and/or workmanship** only. Diamond Manufacturing will repair or replace any parts which are found to be defective in materials or workmanship for a period of **six (6) months** from the date of shipment or invoice. The defect must occur during normal use of the product within the warranty period. **SHANKS ARE EXPRESSLY EXCLUDED FROM THIS LIMITED WARRANTY AND ARE SPECIFICALLY ADDRESSED BELOW.**

With regard to SHANKS only, Diamond Manufacturing will repair or replace shanks against breakage for **thirty (30) days** from the date of shipment. The breakage must occur during normal use of the product within the warranty period. However, **RIPPER SHANKS** are NOT warranted if:

- The shanks are welded or cut on.
- The shanks are used in a manner that is inconsistent with their design (i.e., pulled behind a tractor larger than for what they were designed)
- Any circumstances deemed unusual or uncommon use by Diamond Attachments.

This limited warranty outlines specific legal rights. Diamond Manufacturing does not authorize any person to create any obligation or liability other than stated in this Limited Warranty.

NO OTHER WARRANTIES, EXPRESS OR IMPLIED, INCLUDING WARRANTIES OF MERCHANTABILITY AND/OR FITNESS FOR A PARTICULAR PURPOSE SHALL BE APPLICABLE TO ANY PRODUCT SOLD BY DIAMOND MANUFACTURING. THERE ARE NO WARRANTIES WHICH EXTEND BEYOND THE DESCRIPTION ON THE FACE HEREOF.

DIAMOND MANUFACTURING EXPRESSLY DISCLAIMS LIABILITY FOR ANY SPECIAL, INCIDENTAL, CONSEQUENTIAL OR PUNITIVE DAMAGES, LOSS OF TIME OR PROFITS, DIRECT, INDIRECT, OR GENERAL DAMAGES ARISING OUT OF ANY BREACH OF WARRANTY, EXPRESS OR IMPLIED.

Conditions of Warranty

It is the customer's responsibility to give Diamond Manufacturing notice of any warranty claim as soon as possible. You must contact Diamond Manufacturing or an authorized dealer immediately so that repairs can be made in a timely manner. It is the customer's responsibility to maintain the equipment in accordance with the instructions provided by Diamond Manufacturing. It is recommended that you keep records and receipts as you may be asked to prove that the maintenance instructions have been followed.

It is also your responsibility to operate the equipment in a safe manner, and for the use for which the equipment was designed. If a defect in materials or workmanship occurs, it is your responsibility to cease operating the equipment until proper repairs are made. **Damage which occurs from continued operation is not covered by this warranty. Failure to comply with these conditions may invalidate this Limited Warranty.**

This Warranty Does Not Cover Damages Caused By:

- Abusive operation
- Misuse or neglect
- Natural calamities or accidents
- Unauthorized modifications or repairs
- Neglected maintenance
- Unapproved attachments
- Usage contrary to the intended purpose
- Damage caused by installation of the air conditioning system by anyone other than Diamond Manufacturing or a technician authorized by it. (This does not apply to a defect in materials of any component part of the air conditioning system manufactured by Diamond Manufacturing)

This Warranty Does Not Cover:

- Pickup or Delivery of the equipment or product
- Installation or other labor charges (including the Air Conditioner)
- Rental of replacement equipment during the repair period
- Freight charges for replacement parts
- Travel time or mileage
- Component parts that are not manufactured by Diamond Attachments

How to Obtain Warranty Service

To obtain warranty service under the terms and conditions of this Limited Warranty, you must deliver the product to Diamond Manufacturing, PO Box 270, Atoka, OK 74525 (transportation and insurance prepaid) or to an authorized Diamond Manufacturing Dealer, within the warranty period, along with proof of purchase. **Failure to notify Diamond Manufacturing of any potential warranty claim prior to having the damage repaired waives the protection provided by the Limited Warranty and relieves Diamond Manufacturing of any obligation under the Limited Warranty.** The Limited Warranty is not effective if the damage is repaired by anyone other than Diamond Manufacturing or its authorized dealer.

Governing Law

Any and all actions arising out of the sale of this product, including any warranty claim, shall be governed by and construed in accordance with the laws of the State of Oklahoma and the applicable law of the United States of America without regard to conflict of law principles. Any action or proceeding in connection with this product, including any warranty claim, shall only be brought in the District Court of Atoka County, Oklahoma.