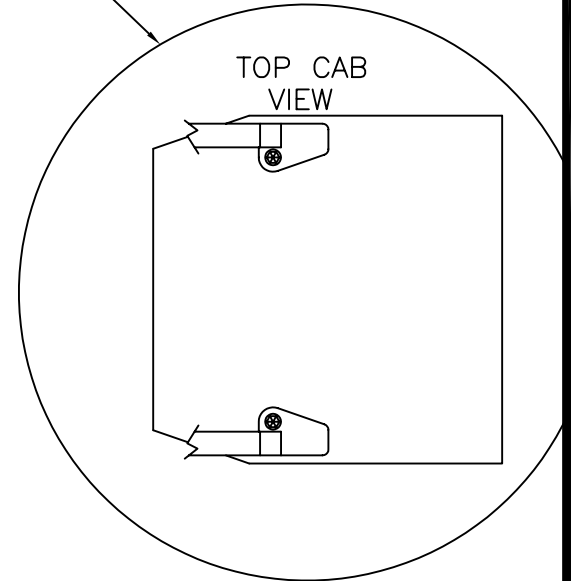
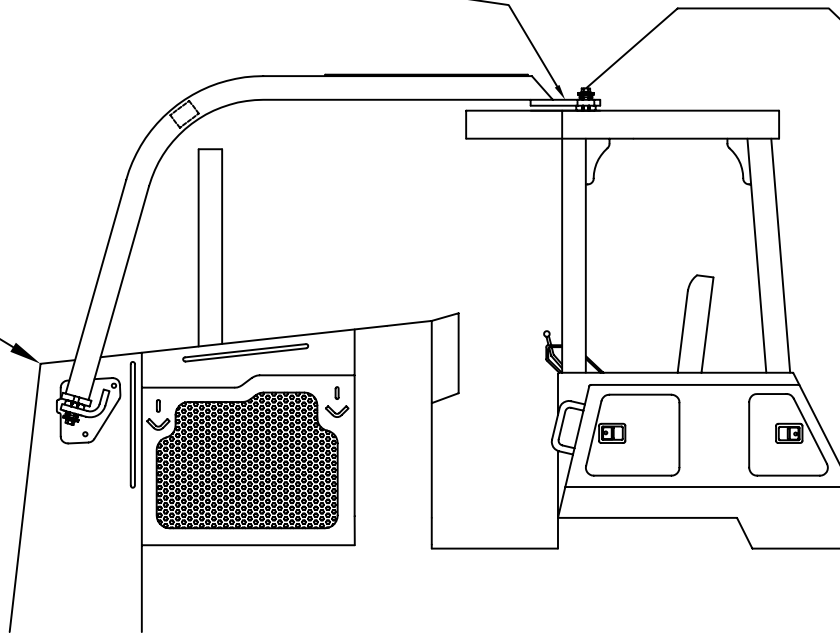
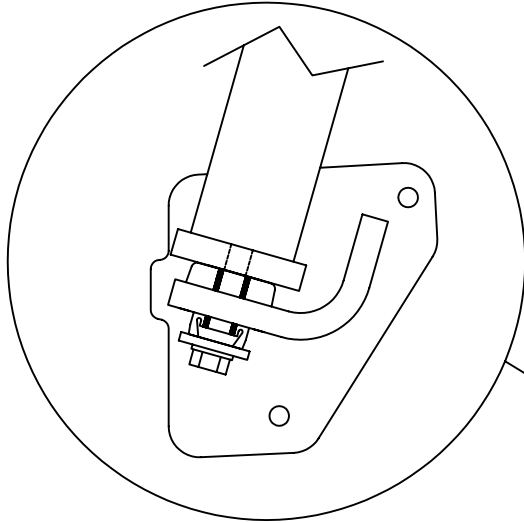


STEP 1 BOLT HARDNOSE MOUNT TO HARNOSE
USE M12 x 35MM BOLTS (6), LOCKWASHER (6) & FLATWASHER (6)
(NOTICE BLOWN UP VIEW AT LEFT)

STEP 2 LIFT SWEEP BODY IN PLACE USING A HOIST

STEP 3 BOLT SWEEP BODY TO HARDNOSE MOUNTS
USE 5/8" x 2-1/2" BOLT (2), FLATWASHER (2) & LOCKWASHER (2)

STEP 4 BOLT SWEEP BODY TO CAB
USE M16 x 80MM BOLT (2), FLATWASHER (2) & LOCKWASHER (2)



HS16 (D3G, D4G & D5G) SWEEP INSTRUCTIONS